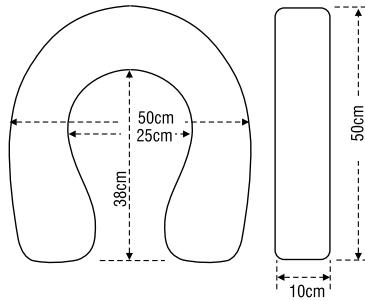




€ BEST VALUE



Horseshoe Lifebuoy "Basic I", 140N

Horseshoe Lifebuoy "Basic I" consists of a flexible zipper cover and features a plastic clip fastening. It is available in one size and in three different colours white, yellow and orange.

Code	20530	20540	20550
Colour	Orange	White	Yellow

Stainless Steel Horseshoe Bracket with light holder

The Lalizas stainless steel horseshoe bracket can be easily installed on any kind of vessel. Its fixing system allows horseshoe and lifebuoy light to be easily removed in case of emergency.



Code.....20580

BEST VALUE



Holder for Lifebuoy Ring & Horseshoe

This holder is ideal for placing and storing your ring or horseshoe lifebuoy. It comes with a plastic holder, which makes it easy to mount onto your boat's rails. It is made of stainless steel and comes with a small elastic stretch cord for keeping the ring or lifebuoy steady on the holder. You can also store the lifebuoy light since it features plastic clips on the base of the holder.

BEST VALUE

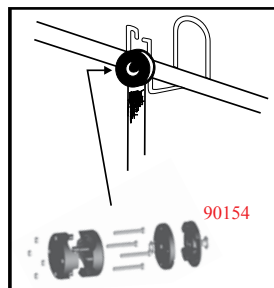
Code.....95733



BEST VALUE

Holder for ring or horseshoe life buoy

Code....20707*



* Set of connector & rail mounts 90154 are not included

BEST VALUE



Rail Mount for lifebuoy light

Code..... 20581



Connector Paralell, for fenderbaskets

Code.....90163

BEST VALUE



Set of Connector & Rail mounts for fenderbaskets

Code..... 90154

Life Saving Apparatus



Life Saving Apparatus - "Cushion Type"

- For use on sail or motor boats
- Made of a durable nylon outer shell and inner layers of polyethylene
- Complete with all round rope Lifeline
- Lightweight and doubles as a cushion
- Available in 3, 4 and 6 person models
- High visibility orange
- Approved to EEP. Approval number: 4232/24/01

Code	70270	70271	70272
Persons	3	4	6
A (cm)	40	52	46
B (cm)	50	47	70
C (cm)	29	25	36

