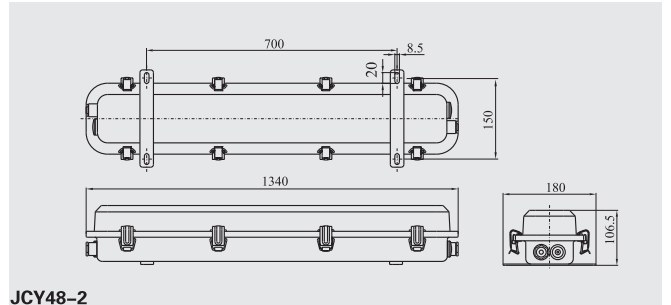
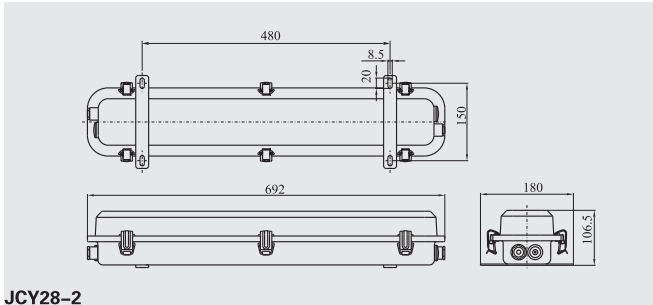
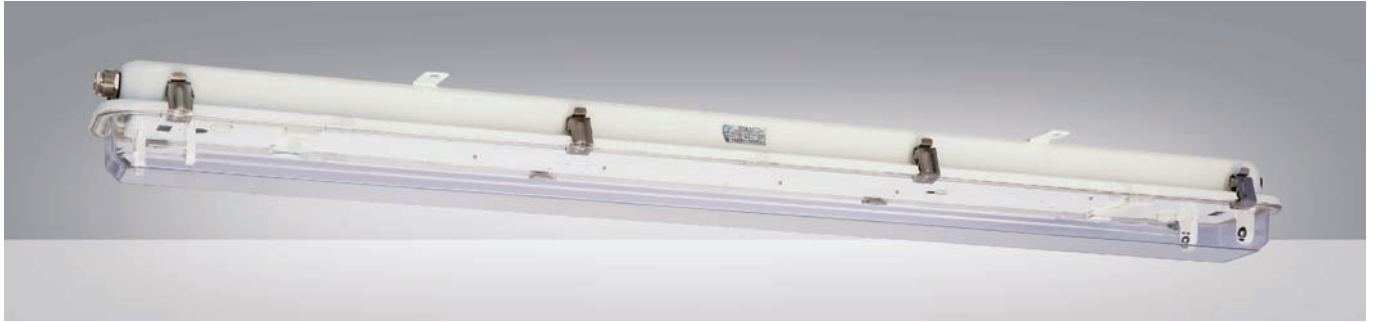


# 荧光舱顶灯 FLUORESCENT PENDANT LIGHT



**适用范围:**

1. 适用于各类船舶有滴水、溅水和凝水的场所，如机炉舱、干货舱、轴隧、管弄、露天甲板等场所作照明之用；
2. 工作环境温度为一20℃~+55℃。

**产品特点:**

1. 壳体采用优质钢板拉伸成型，灯罩采用PC注塑成型，密封性能良好；
2. 灯体结构紧凑，外观精美，选用旋转式进口灯座，内部接线方便等特点；
3. 灯具内配有补偿电容，启动效果好等特点；
4. JCY28-2B的整流器型式为一拖二。

**产品认证:**

1. 经中国船级社“CCS”型式认可；
2. 采用IEC60092-306-2009标准；
3. 符合《钢质海船入级规范》，专利号：ZL2004 30018 543.3。

**The scope of application:**

1. Applied to illumination of water dripping, water spattering, water coagulating place in ships, such as oven cabin, dry cabin, tunnel, pipeline and weather deck etc.
2. The environmental temperature for work is -20℃~+55℃

**Products characteristic:**

1. The shell adopts good quality steel plate tensioned, lampshade adopts injection of PC, and has the seal structure.
2. The lamp body has compact structure and delicacy appearance , adopt the import spin-type of lamp holder of, and it is convenient to connect inside.
3. Equipped compensating capacitance inside the lamp, also has the good effect of start.
4. One ballast can use for two tubes of JCY28-2B.

**Production authentication:**

1. The product approved by the CCS(China Classification Society).
2. Adopt IEC60092-306-2009 standard.
3. Conform to GRADE ENTRY NORMS FOR STEEL SHIPS, the patent No is ZL2004 30018 543.3

**规格Specifications:**

型号 Type	功率 Power	电压 Voltage	补偿电容 Compensating capacitance	功率因数 Power factor	灯座 Lamp Holder	电缆外径 Cable outside diameter	防护等级 Protection class	重量 Weight
JCY28-1	1×20W	110V/60Hz 220V/50Hz 220V/60Hz	4.75 μ f	>0.85	G13	φ 8~ φ 16	IP67	4.5kg
JCY28-2	2×20W		7.5 μ f	>0.85				4.5kg
JCY48-1	1×40W		4.75 μ f	>0.85				8.0kg
JCY48-2	2×40W		7.5 μ f	>0.85				8.0kg